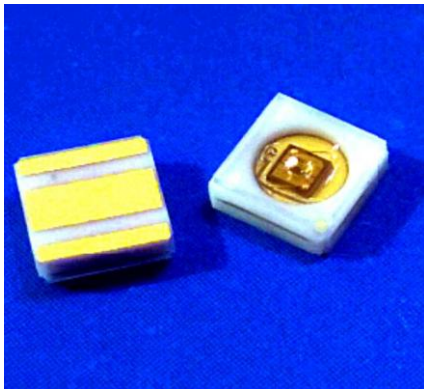


Shenzhen Shining Future LED Technology Co., Ltd.

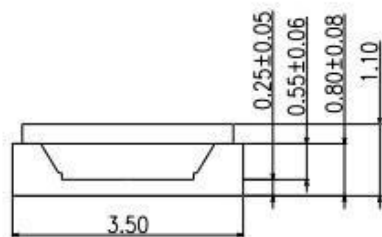
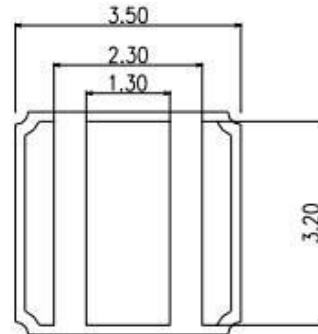
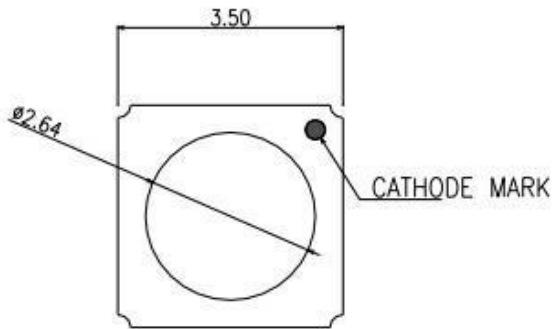
Website: www.sfleds.com
<http://sfleds.en.alibaba.com/>

Contact: Linda
SKYpe: shiningfor2
Email: Linda@sfleds.com
What'sapp: 008613713977051
Wechat: baiyunansang

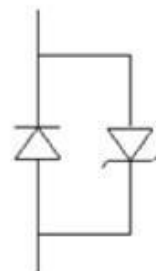
UV275A-3535-A



CAUTION
OBSERVE PRECAUTIONS
FOR HANDLING
ELECTROSTATIC
DISCHARGE
SENSITIVE
DEVICES



Circuit



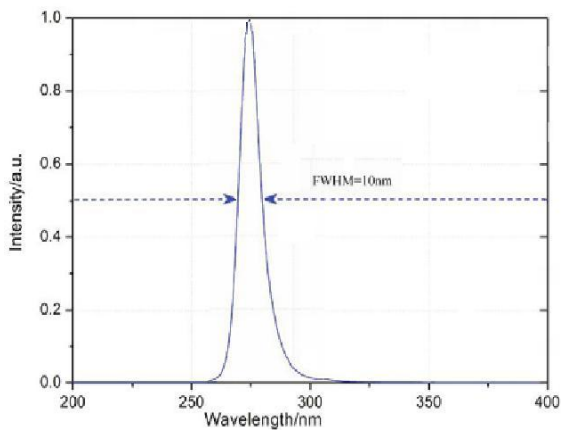
1. Absolute Maximum Ratings at $T_A = 25\text{ }^\circ\text{C}$

	Unit	Max
Input Power	mW	200
Operation Current (CW)	mA	20
Operation Current (Pulsed $<5\mu\text{s}$, 1kHz)	mA	100
Operation Temperature	$^\circ\text{C}$	-30~+60
Storage Temperature	$^\circ\text{C}$	-40~+100
Humidity (for non-hermetically sealed LED)	%	0~ 80
Pulse Operation	(100mA, 1KHZ, Duty Cycle is 5%)	Can

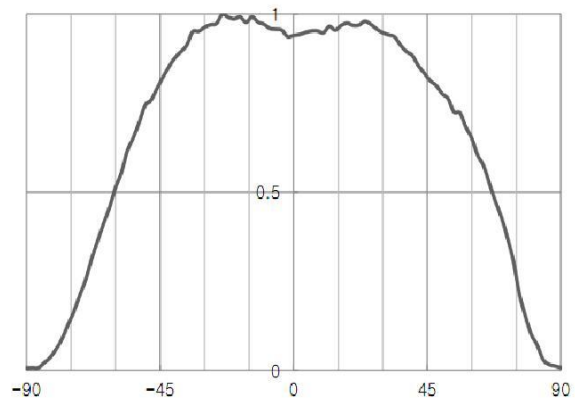
2. Typical Electrical & Optical Characteristics at $T_A = 25\text{ }^\circ\text{C}$

Wavelength (nm)	Part No.	Dimension (mm)	Optical Output Power P_o [mW]		Voltage V_F [V]		Viewing Angle 2θ % [$^\circ$]
			$I_F / 20\text{mA}$		min	max	
			min	max			
275 ± 5	UV275A-3535-A	$3.5 \times 3.5 \times 1.0$	1.1	1.6	5.0~7.5		117

3. Optical Characteristics ($T=25\text{ }^\circ\text{C}$, $I_F=20\text{mA}$)

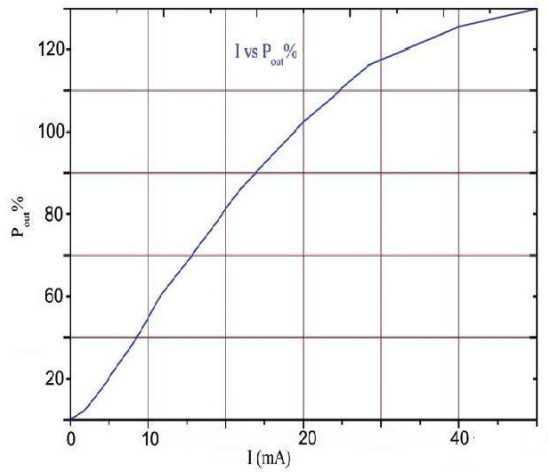


Spectrum

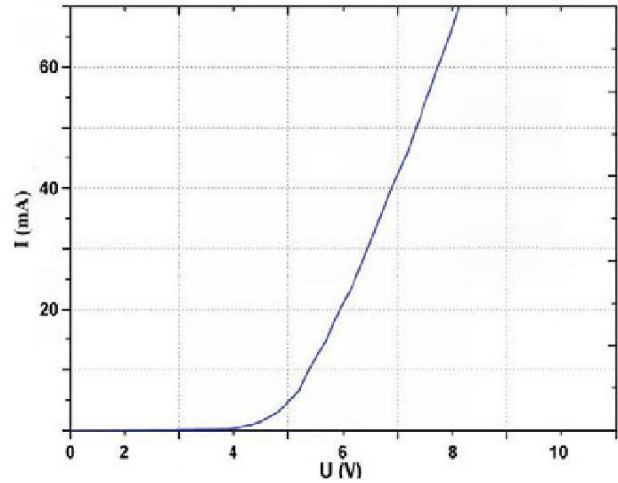


Radiation Patten

4. Electrical Characteristics ($T=25^{\circ}\text{C}$, $I_F=20\text{mA}$)



Relative Output v. Current



I-V Characteristics

Features:

- ☑ Environmental friendly : No Hg, Cd, Br, Pb
- ☑ Physical sterilization process : High Sterilizing Rate
- ☑ Low energy consumption
- ☑ Long service life

Other Remarks

1. Do not touch the surface of the led, in case to affect the normal emitting.
2. Make sure the right positive and negative pole.
3. Do not watch closely, it is harmful to your eyes.